

Installation of DAMPA Lay-In Tile

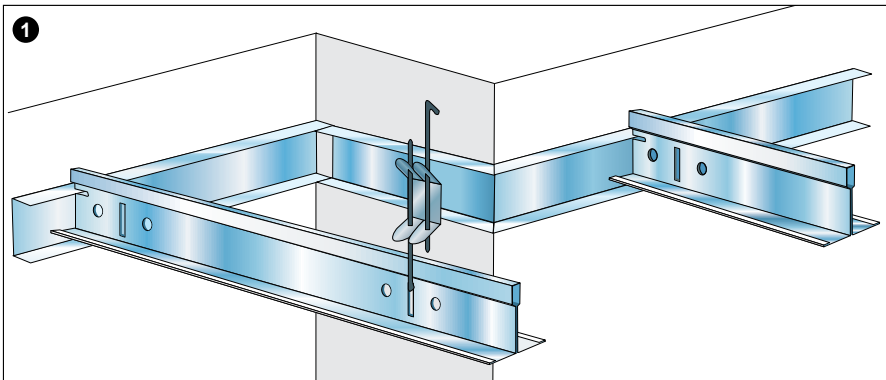
Before fixing the angle runners or edge trims the final ceiling height should be marked on the surrounding walls.

The ceiling area should be measured and divided up to accommodate tee runners at spacings of 1200 mm. Mark the position of the hangers on the structural soffit.

The distance between hangers along the tee runners must not exceed 1200 mm.

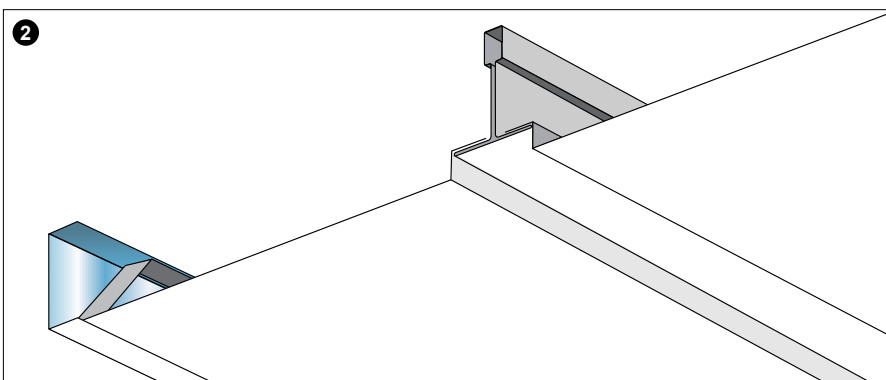
Accurately align all tee runners and correct their height adjacent to the walls. A 1200 x 600 mm module is established by connecting 1200 mm cross tees between the tee runners at 600 mm centres.

The 600 x 600 mm grid is formed by connecting the 1200 mm cross tees with 600 mm cross tees. The grid system is now ready for installation of the tiles.

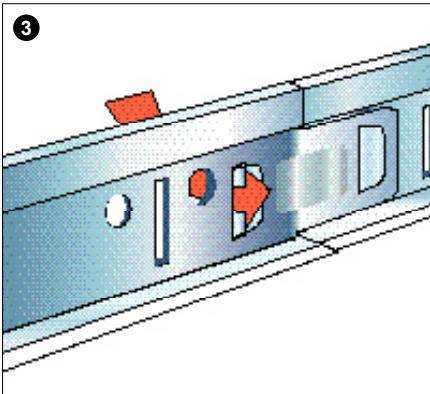
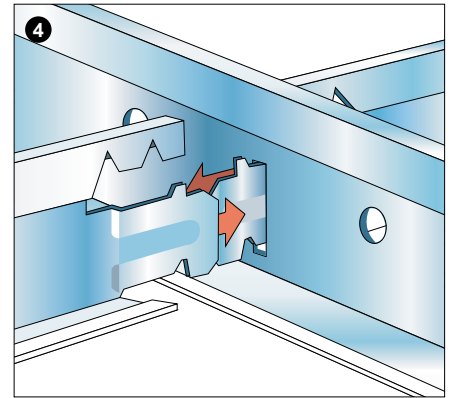
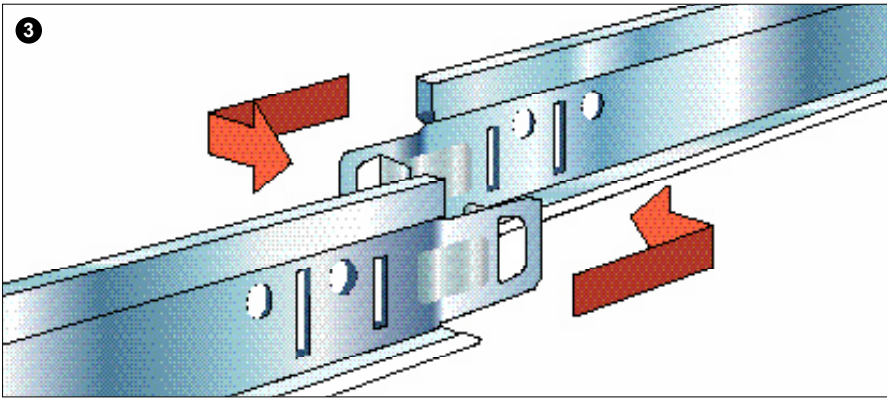


Edge Trims as Perimeter Solution

1 When choosing edge trims as perimeter solution the trims are fastened to the perimeter walls at the correct height by means of plugs and screws at 500 mm intervals. Ideally, the ceiling area should be divided up so that the perimeter tiles are wider than 300 mm. The tiles are cut to the required dimension and the clips hold down the cut side of the tiles.



2 The edge trims are fastened to the walls by means of screws. At in-turned corners one edge trim ends at the wall, whereas the other edge trim ends at the horizontal flange of the first edge trim. At out-turned corners the two horizontal flanges are mitred.

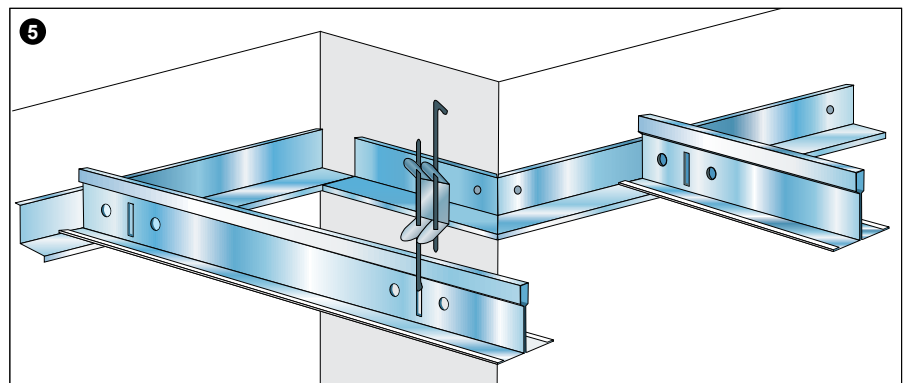


3 The pre-bent tabs of the tee runner fit precisely into the slots of the next tee runner. By bending the tabs, the two tee runners are secured in the right module.

4 The cross tees are inserted through the holes in the tee runners, and locked using slight manual pressure. After fixing, the cross tees form a straight line, which is at right angles to the tee runners. The cross tees are inserted to the right of the hole ensuring that the left sides of the cross tees always face each other.

Angle Runners as Perimeter Solution

5 When choosing angle runners as perimeter solution the runners are fastened to the perimeter walls at the correct height by means of plugs and screws at 500 mm intervals. Ideally, the ceiling area should be divided up so that the perimeter tiles are wider than 300 mm. The tiles are cut to the required dimension allowing an extra 40-50 mm for bending.



6 The angle runners are fastened to the walls by means of screws. At in-turned corners one runner ends at the wall, whereas the other runner ends at the horizontal flange of the first runner. At out-turned corners the two horizontal flanges are mitred.

