

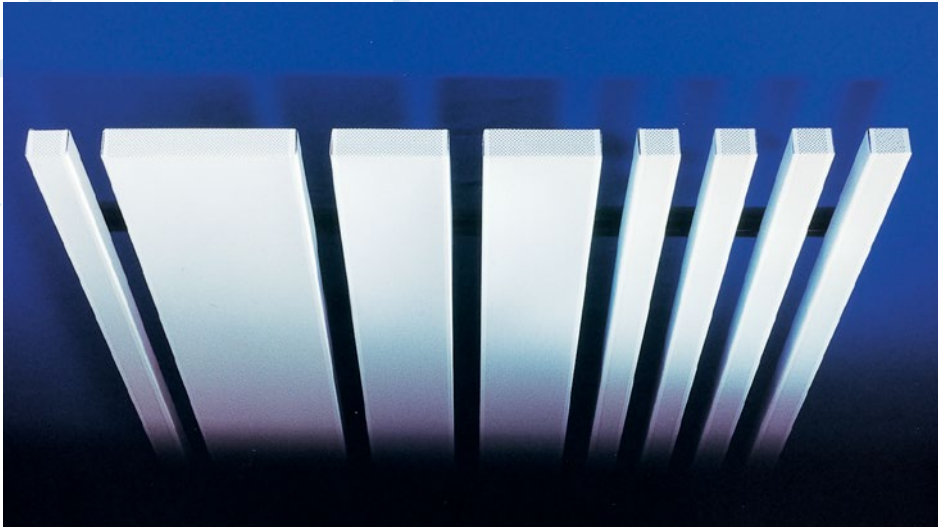


DAMPA® Interval 31/32/33

Unique design with Interval Panels

ENDLESS DESIGN OPTIONS

DAMPA® Interval Panels are a complete open ceiling system designed with special suspension system. The open gap between each element can be adjusted to customer choice, and creates a wide range of design and functional options.



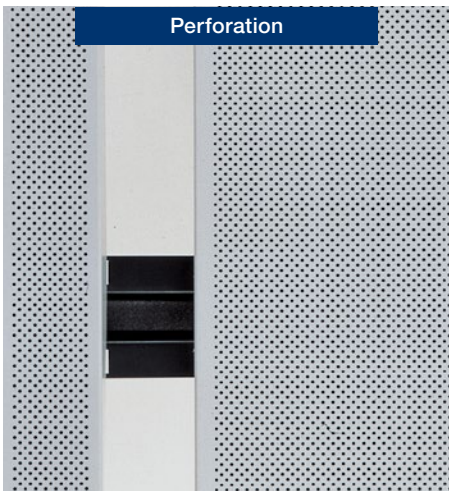
Design

DAMPA® Interval provides the option for individual design combining modules 100, 200 and 300 mm units in one ceiling.

An open gap of 45 mm between the units creates the linear look and draws attention to the deep square edged aluminium profile.

Material

The DAMPA® Interval 31/32/33 units are produced from aluminium coils on a rollforming plant securing uniformity.



Perforation

The perforation of the units gives a combination of perfect acoustic properties and aesthetic appearance.

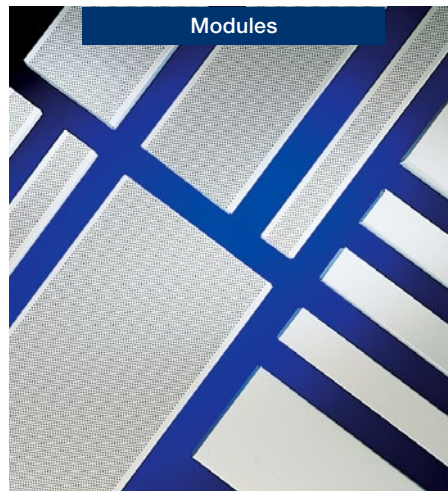
Colours

With a choice of units in a specific colour or in a combination of different colours, the ceiling surface becomes part of the interior design.

Integrated System

Lighting and ventilation are designed as integral parts of the DAMPA® Interval ceiling system.

Adapter plates are available in matching colours, for integration of downlights.



Acoustic Felt

The combination of perforation and acoustic felt bonded to the reverse side of the units contributes to optimal acoustics.

Suspension System

In the exposed suspension system the units are secured to the carriers – without the use of tools. For further details see “4.5 Installation of DAMPA® Interval 31/32/33”.

Quality

All DAMPA Ceiling Systems are manufactured, to high standards within close tolerances to ensure accurate, fast and reliable installation. The DAMPA Ceiling Systems are produced according to DAMPA's Quality Management System.



Modules

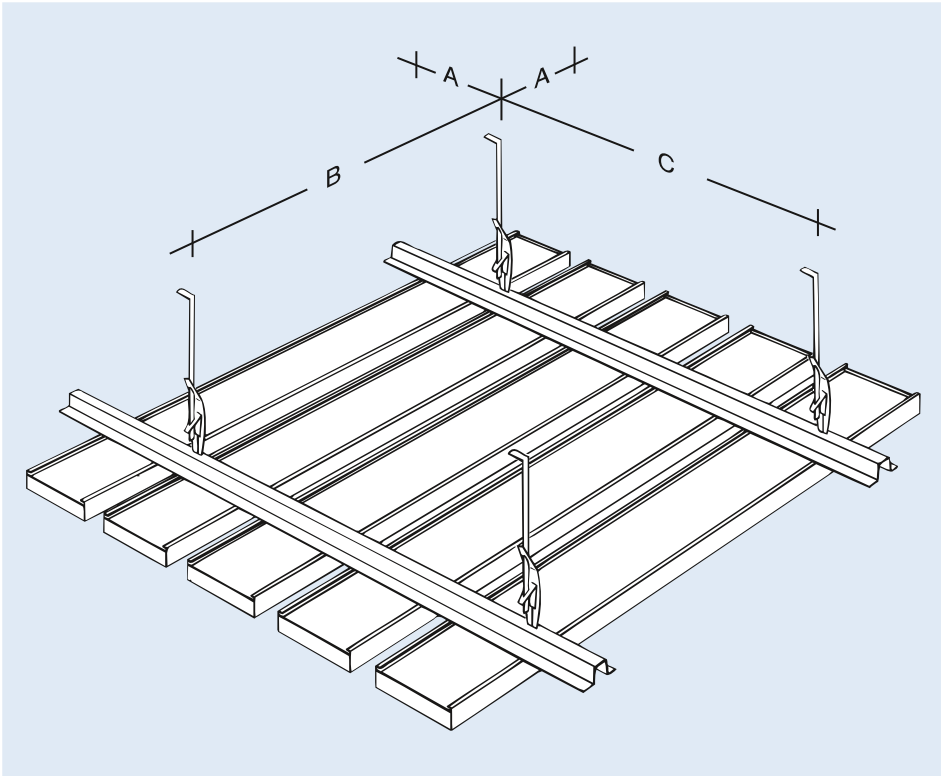
All modules are installed in the same suspension system extending the number of creative combinations.

Interval 31:	Module 100 mm
Interval 32:	Module 200 mm
Interval 33:	Module 300 mm

All types have an open gap of 45 mm between the units. The DAMPA® Interval 32/33 units are end closed whereas DAMPA® Interval 31 units are supplied with end closing upon request.

Panels in length from 600 to 6000 mm are delivered as standard.

Installation of DAMPA® Interval 31/32/33

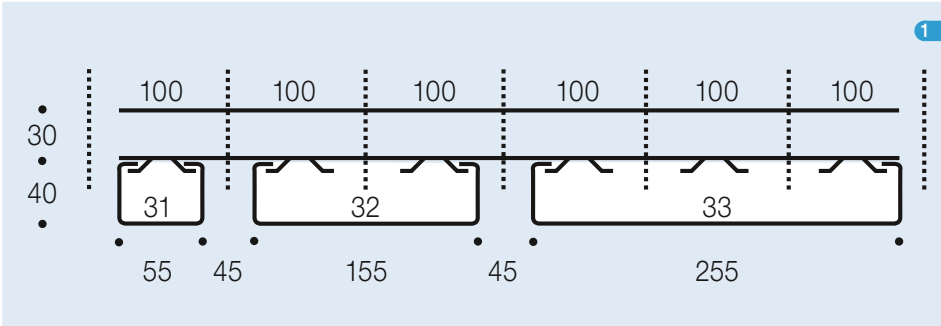


The open gap between the DAMPA® Interval units creates the linear look and draws attention to the deep square edged aluminium profile.

A combination of the various modules of 100, 200 and 300 mm offers the designer complete flexibility.

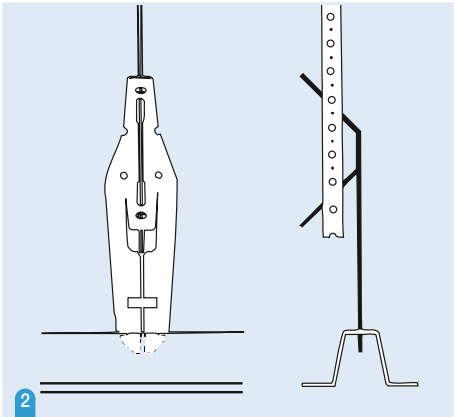
All modular carrier and hanger centres are maximum distances.

Max. distance	Aluminium
A	300 mm
B	1800 mm
C	1800 mm



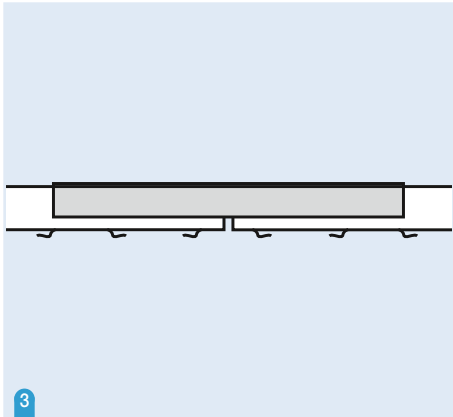
1

Installed in the same modular carrier all types have an open gap of 45 mm.



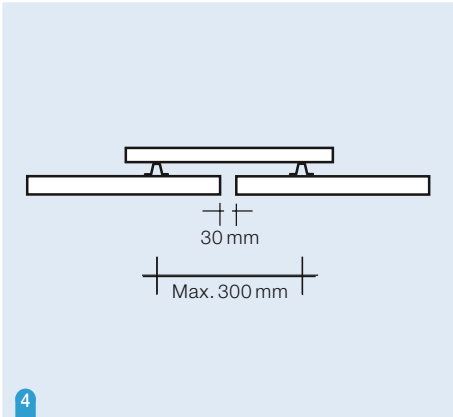
2

Adjustment Clip No. 5 with Hanger No. 5 is located into the slots provided in the modular carrier. The pull-out force of the hanger must be at least 2.5 times the hanger load.



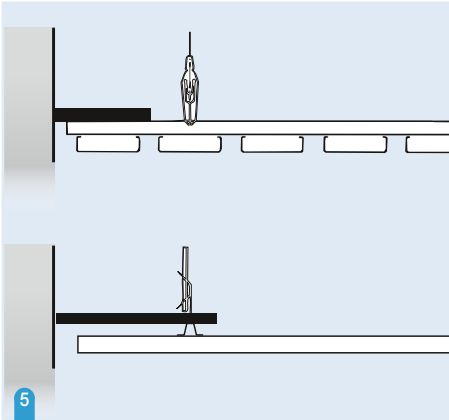
3

The modular carriers are joined using Carrier Splice No. 26. Place the splice over the carrier ends and secure each carrier using two 3.2 mm diameter pop rivets through the holes provided. This will automatically maintain the module.



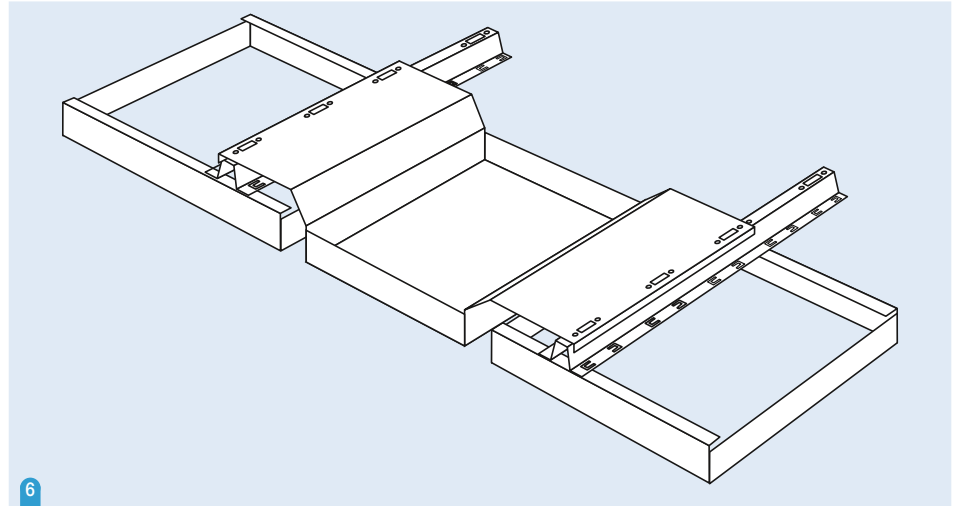
4

When installing ceilings requiring panel lengths greater than 6 m, jointing can be achieved by forming a desired gap between the ends of the panels.



5

To prevent movement of the ceiling, modular carriers are braced against the wall. The first and last modular carriers should be braced at right angles approx. every 2000 mm. The exposed ends of the bracing should be painted black.



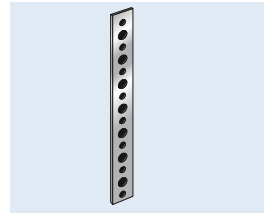
6

The downlight adapter is available in 300 mm modular size and supplied in any colour for direct integration into the DAMPA® Interval system. The adapter plate can be supplied with the size of the hole to fit the required downlight. It may be necessary to provide additional hangers to accommodate the extra weight.

DAMPA® Interval 31/32/33

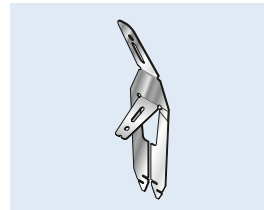
Module 100 mm, material thickness 0.45 mm
Module 200 mm, material thickness 0.55 mm
Module 300 mm, material thickness 0.70 mm

Product	Average Consumption	Packing
Modular Carrier No. 37	0.80 m/sq. m	10 units/bundle
Carrier Splice No. 26	0.20 unit/sq. m	150 units/box
Adjustment Clip No. 5	0.50 unit/sq. m	350 units/box
Hanger No. 5 (suspended 500 mm)	0.25 m/sq. m	100 m/coil



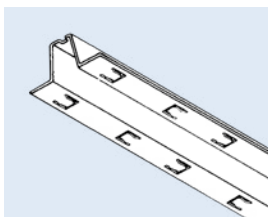
Hanger No. 5

Size: 1 × 14 mm
 Length: 100 m
 Material: Galvanised steel



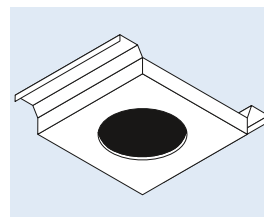
Adjustment Clip No. 5

Size: 175 × 40 × 26 mm
 Material: Spring steel



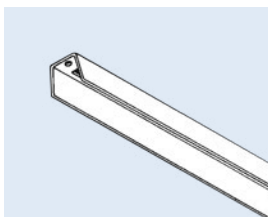
Modular Carrier No. 37

Size: 30 × 63 × 4000 mm
 Material: Galvanised steel
 Finish: Painted black



Downlight Adapter

Finish: Painted



Carrier Splice No. 26

Size: 21 × 25 × 250 mm
 Material: Galvanised steel

We reserve the right to alter described material without prior notification

