

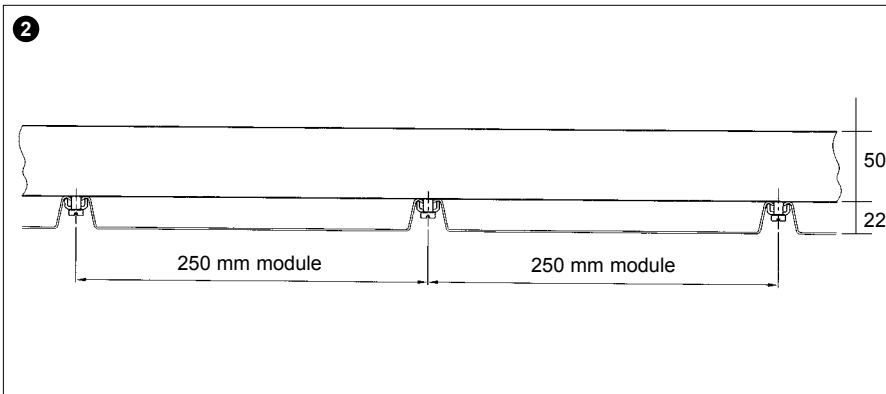
## Installation of DAMPA Robust

DAMPA Robust is suspended in a rigid construction using Threaded Rods. The Carrier Support is secured by means of nuts, and Carrier No. 2 is locked to the Carrier Support with locking tabs.

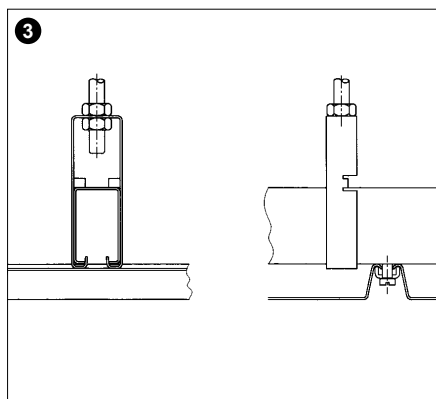
Each DAMPA Robust unit is installed with Backing Plates, Screws and Aluminium Clips to obtain maximum rigidity.

- 1 All carrier and hanger distances are maximum distances.

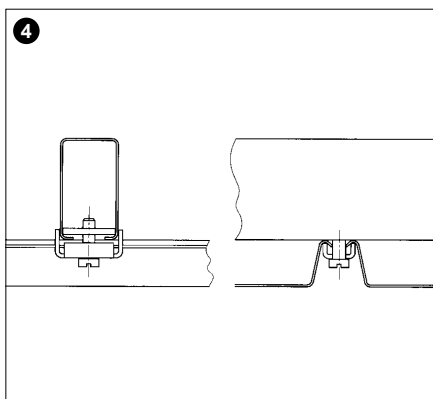
Max. distance	Aluminium
A	300 mm
B	930 mm
C	1500 mm



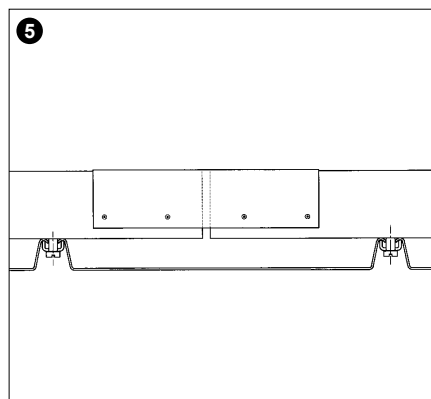
- 2 A 250 mm module is obtained with 244 mm units and an open gap of 6 mm.



3 The Carrier Support bracket is placed around Carrier No. 2 and locked into position by turning the two locking tabs inwards.



4 The DAMPA Robust units are connected to Carrier No. 2 by screwing the Aluminium Clip to the Backing Plate.



5 The ends of two Carrier No. 2 are joined by using Carrier Splice No. 2.

### Strength Properties

DAMPA Robust can withstand a pressure of 240 Kp/sq. m without sustaining damage. Please contact DAMPA for strength calculations.

### Access to Services

Each Robust unit can be demounted for easy access to services behind. DAMPA can also supply fixing screws which require a special tool for dismantling.

