

Single-component ceiling islands



Trapezoid shaped ceiling islands



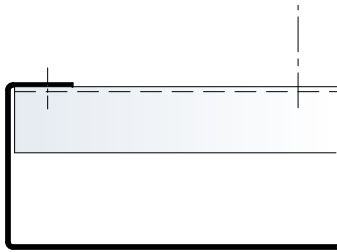
Stilwerk, Düsseldorf



Single-component ceiling islands

Floating perimeter detail

- Square

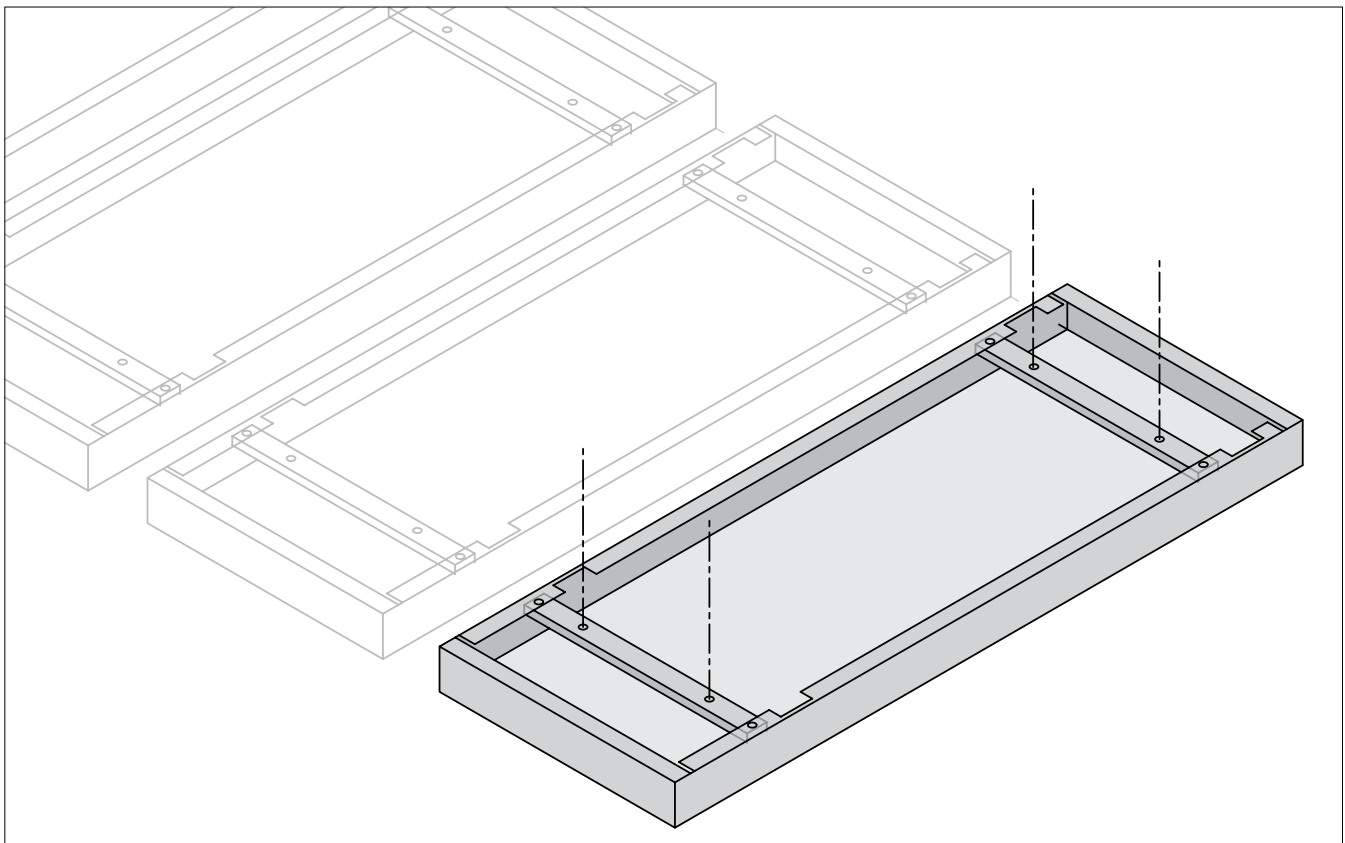


Ceiling island

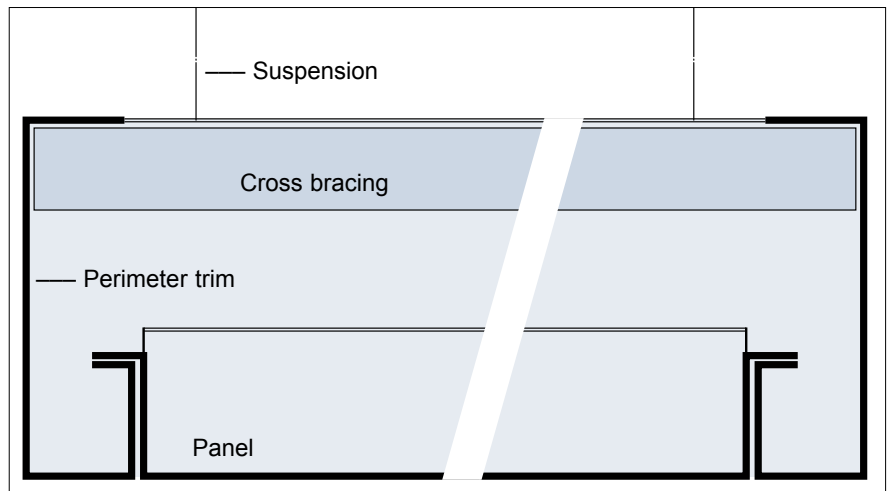
- Max. width 900 mm
- Max. length 3,200 mm

Perforation

Available perforation patterns depend on width, substrate material and thickness; see section 4.2 for more detailed information.



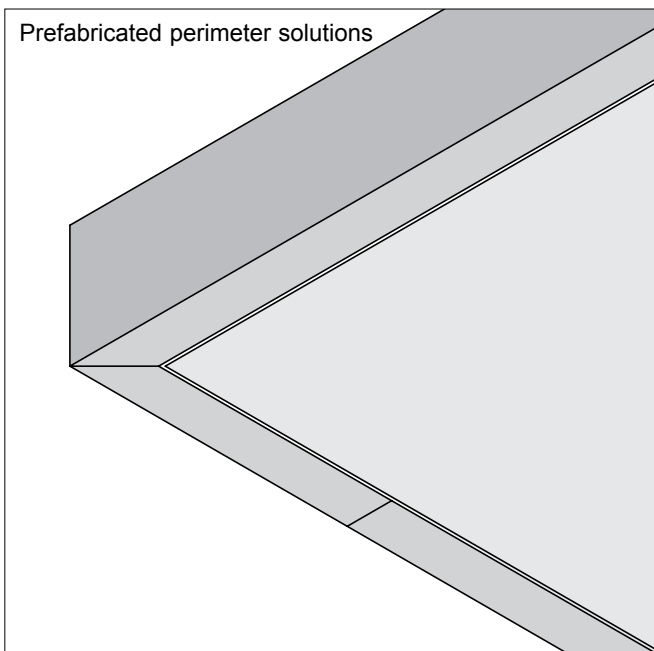
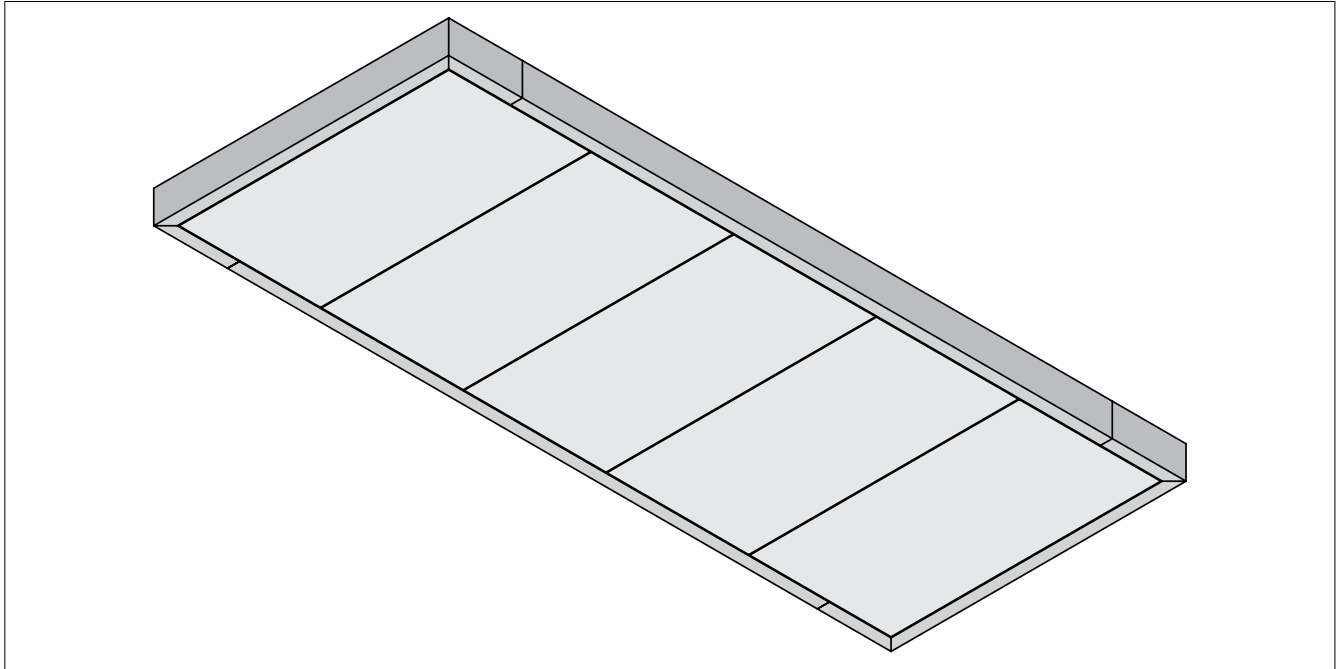
Ceiling islands with perimeter trims



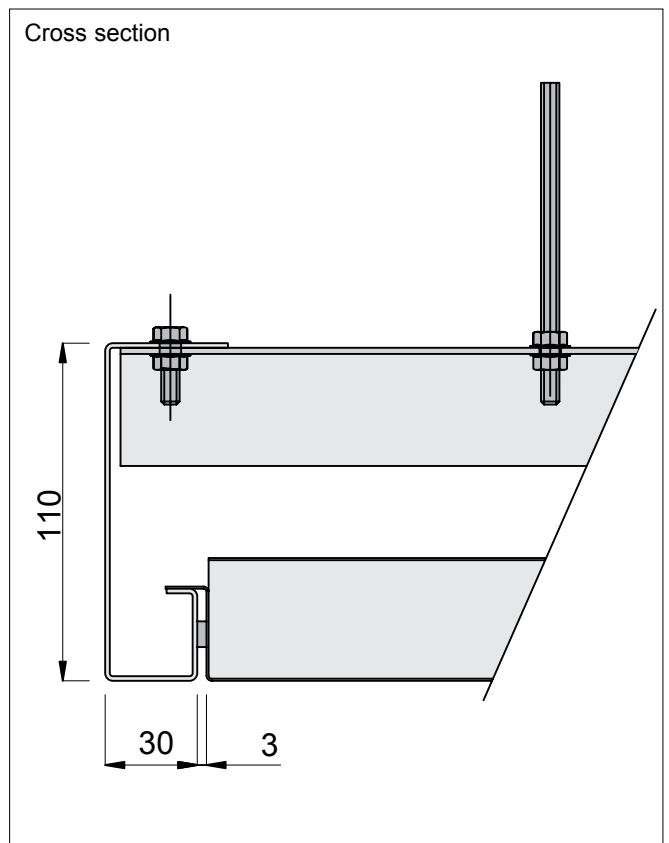
Ceiling islands with perimeter trims and a concealed suspension

Can be manufactured to various dimensions for general ceiling applications and / or acoustical control, and they are completely compatible for use as chilled ceilings.

Ceiling islands with perimeter trims



Prefabricated perimeter solutions



Cross section

Material

- Steel perimeter trim 1.5 mm material thickness.
- Steel or aluminium ceiling panels.
- Chilled ceiling islands suitable for all types of cooling systems.

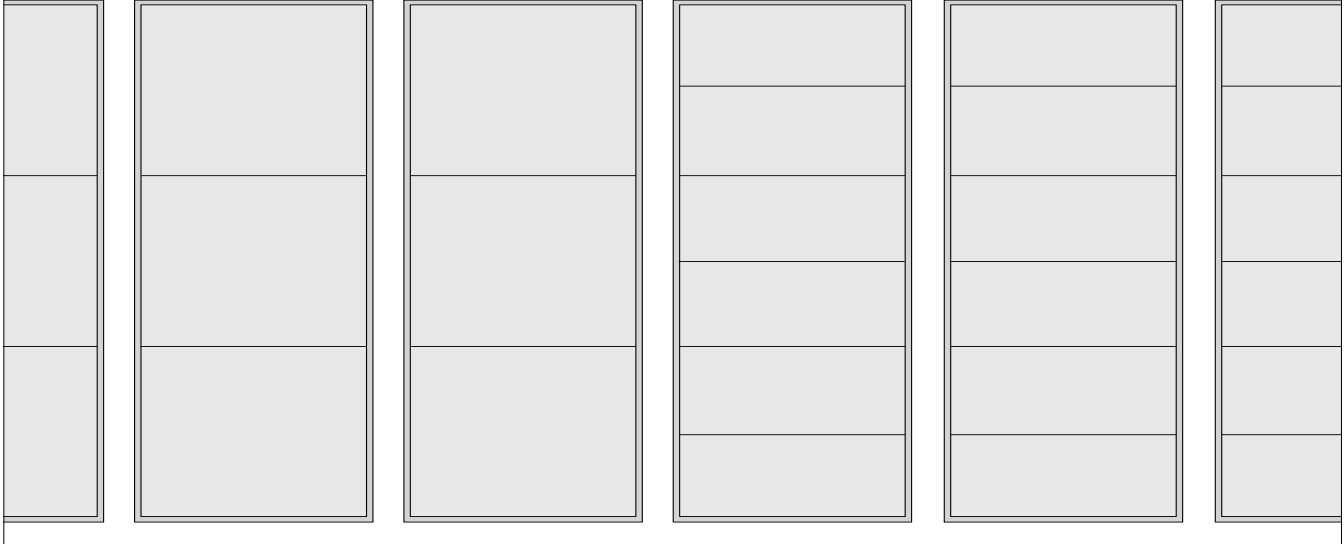
Ceiling islands with perimeter trims

Special panels

- Max. width 1,160 mm
- Max. length 2,630 mm

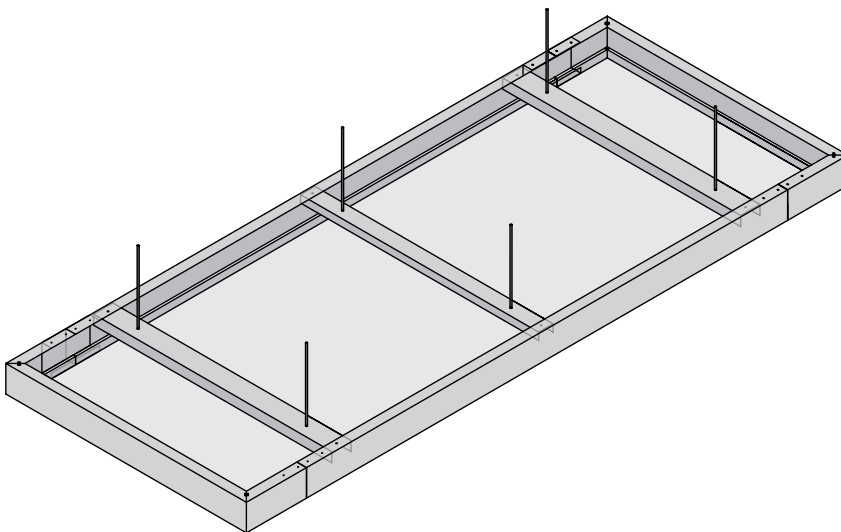
Standard panels

- max. width 900 mm
- max. length 3,100 m

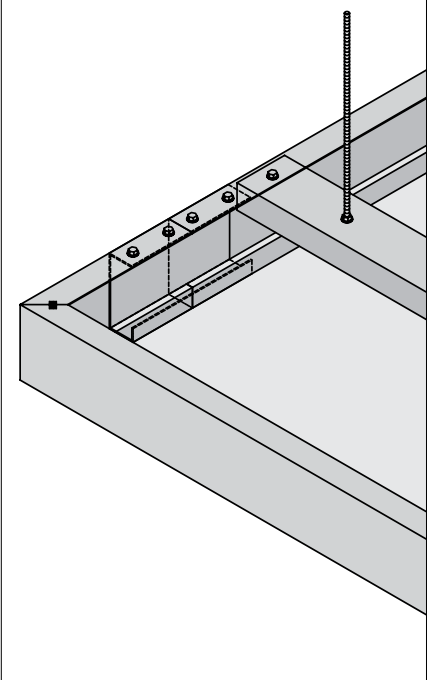


Perimeter trim with long side and short end parts

- Can be applied as chilled ceiling islands and can be executed with various accessible ceiling systems, see sections 4.1.5 and 4.1.6
- Suspension with cross profiles and threaded rod hanger M6

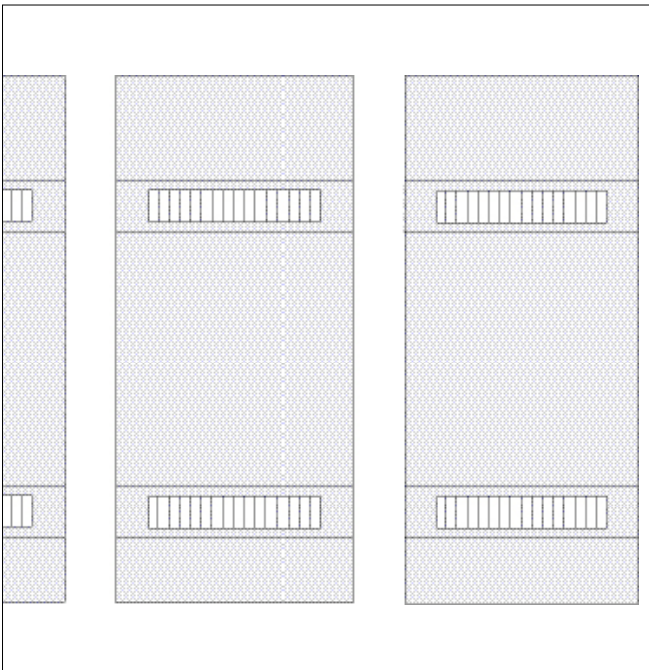


Connection clamp for perimeter trim



Hook-on ceiling islands with separate panels

With concealed suspension. Can be manufactured in various dimensions for general ceiling applications, for acoustical absorption and compatible with chilled ceiling techniques.

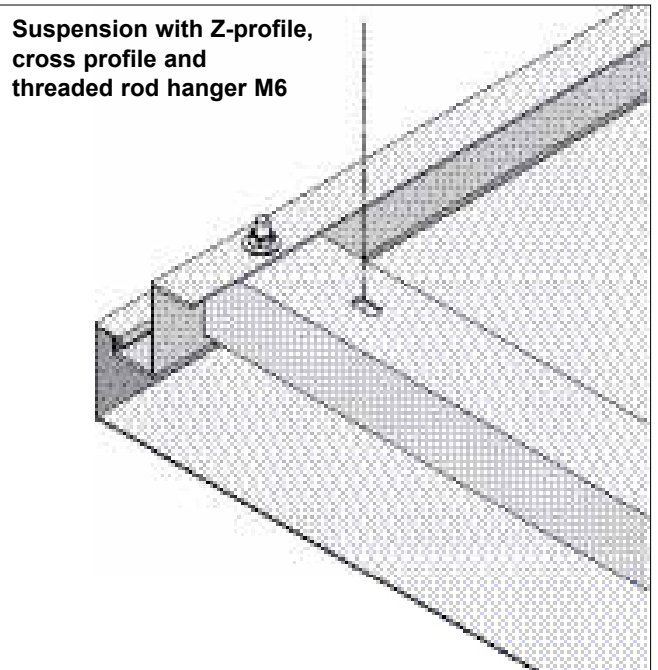


'Special panels'

- Max. width 1.160 mm
- Max. length 2.630 mm

'Standard panels'

- max. width 900 mm
- max. length 3.100 m



Suspension with Z-profile, cross profile and threaded rod hanger M6