

**DAMPA®**  
Marine Ceiling Systems



Technical Information  
**DAMPA 600 HOOK-ON**  
B-15 / A-30 Corridor Ceiling System

## DAMPA 600 Hook-On

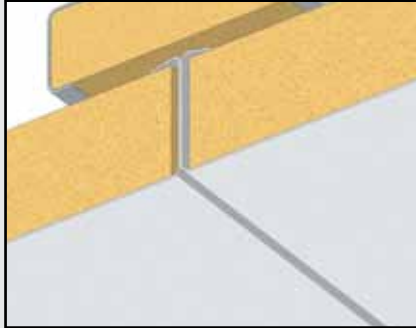
This B-15/A-30 self supporting hook-on ceiling system is designed specially for corridors.

Each full sized panel can swing down separately. This gives an unlimited access to above services anywhere without

disturbing the fire integrity of the ceiling. No additional insulation is required.

The ceiling joint ensures a tight, uniform “pencil” line connection with all panels in flat alignment forming a distinctively plane and neutral ceiling area.

### Basic Technical Data



Module:	600 mm
Ceiling panel length:	800 - 1435 mm as standard
Material:	0.6 mm steel
Execution:	Plain, square edged with pencil line joints
Fire classification:	B-15/A-30
Fire insulation:	Fully integrated
Weight incl. perimeter profiles:	11.7 kg/m <sup>2</sup> , based on a 1 m wide corridor
Noise reduction:	Calculated room-to-room 45 dB
Installation principle:	Free span for widths up to 1470 mm
Construction height:	58 mm
Installation-/demounting height:	No additional height required
Demountability:	Individually demountable
Swing function:	Each full panel function as an access panel
Fire integrity:	Not influenced by the swing function
Integration of other items:	Cover profiles will support normal integrated items
Normal stock colour:	DAMPA catalogue colour Pure White matt No. 4747-2 (RAL 9010).

### Basic Installation Principles

This self supporting ceiling system consists of only three basic components: Ceiling panels, angle runners and cover profiles.

The simplicity of the system ensures a quick and easy installation.

The 600 mm panels span up to 1435 mm and are designed to swing down both ways and separately.

Angle runners are identical at both sides of the corridor.

Cover profiles ensures the fire integrity at the panel joints.

Ceiling panels and cover profiles are both supplied fully pre-insulated and in pre-cut lengths to fit the width of the corridor. No additional insulation is required.

The DAMPA 600 Hook-On Panels will carry the weight of smaller and lighter items such as smoke detectors, spotlights etc.

### Swing Function – Access to Services Above

Each full sized ceiling panel can swing down separately along both sides of the corridor walls. This gives an unlimited access to above services anywhere in the corridor without disturbing the fire

integrity of the ceiling.

### General Ceiling Lay-out Principle

Ceiling panels are always to run crosswise to the corridor.

Angle Runners No. 12 are installed along both sides of the corridor. Pre-insulated Cover Profiles No. 12 are inserted above each ceiling joint every 600 mm.

Ceiling panels are normally installed progressively, starting at one end of the corridor.

Technical ceiling panels with integrated items can be installed first and larger ceiling sections in between left out to be installed later.

Cover profiles can also be left out in sections to be installed later – or can easily be demounted and re-instated if required.

### Calculating Lengths of Ceiling Panels and Cover Profiles No. 12

The lengths of the Hook-On Ceiling Panels are determined by the internal width, bulkhead to bulkhead minus 35 mm.

This will provide a closed shadow recess of nominally 17 mm along the perimeter which will absorb building tolerances of up to +/- 5 mm.

The lengths of the Cover Profiles No. 12 are determined by the internal width of the corridor, bulkhead to bulkhead minus 20 mm.

### Noise reduction

Calculated room-to-room noise reduction is 45 dB according to ISO140-9 / DIN/EN 20 140-9.

### Colours and Surfaces

Panels and angle runners are stove-enamelled using non-toxic polyester paint providing excellent paint finish and surface protection.

Normal stock colour is DAMPA catalogue colour Pure White matt No. 4747-2 (RAL 9010). Almost any alternative colour is available on request.

### Certificates and Approvals

#### IMO and SOLAS Compliance

The DAMPA 600 Hook-On Corridor Ceiling System has been successfully tested in accordance with the latest IMO Resolution A.754 (18) for fire resistance and for flame spread and toxicity.

#### B-15/A-30 Approval

Approved by National Administrations and Classification Societies worldwide. To ensure compliance with your specific project-related requirements, please contact DAMPA.

#### CE-Conformity

DAMPA 600 Hook-on fulfil the requirements of The EEA Marine Equipment Directive 96/98 EC and is thus qualified to bear the CE-Mark of Conformity (Wheel Mark).

#### Calorific Value below SOLAS requirements

The calorific value of the stove-enamelled ceiling surface is only approximately 1 MJ / sq.m., far below the present SOLAS requirements.

#### Toxic Fumes

Fire tests confirm that no toxic fumes, hazards to human life or to ship's electronic equipment, are produced from the stove-enamelled surfaces of the ceiling panels during a fire.

### Packaging

Ceiling panels in pre-cut lengths according to actual corridor sections are generally supplied per deck in non-returnable approx. 800 mm wide wooden crates suitable for fork lifting. Smaller quantities in non-returnable cardboard cartons.

Cover profiles in pre-cut lengths are packed per length and supplied in bundles.

Angle runners are supplied in standard lengths in bundles as bulk.

All materials must be stored under cover in dry ventilated areas.

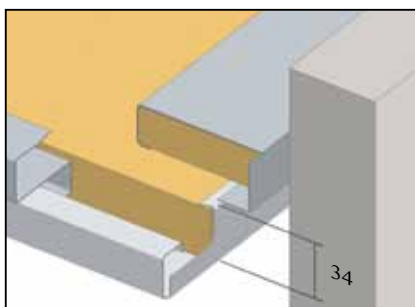
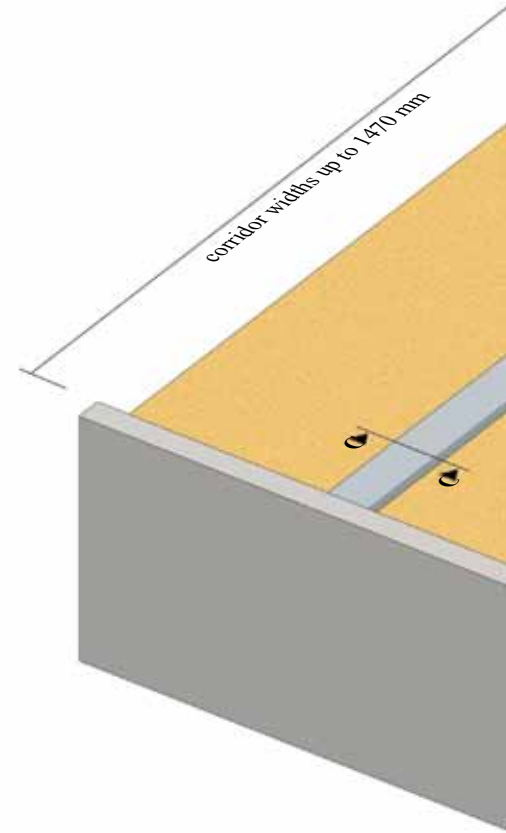
### Identification and Handling on Site

To simplify identification and handling on site, panel crates and boxes can be marked with specific deck location.

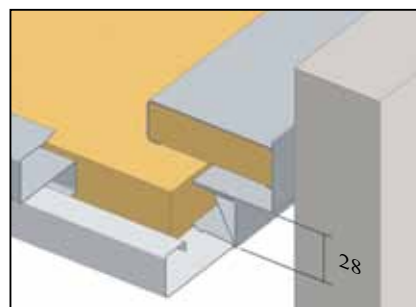
### Engineering Service

DAMPA's engineering service includes assistance with design implementation, ceiling layout drawings and a full material specification based on an exchange of AutoCAD accommodation drawings by email.

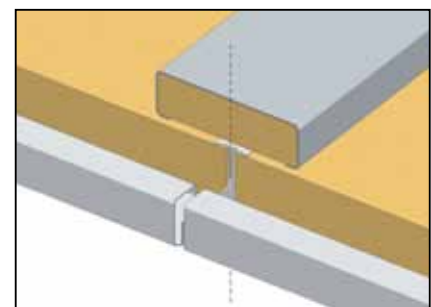
Please contact DAMPA with your possible requirements.



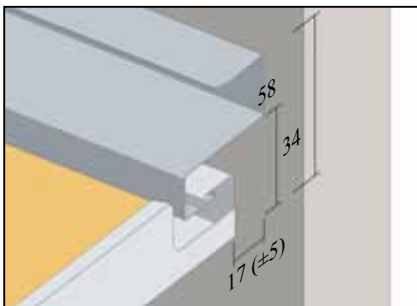
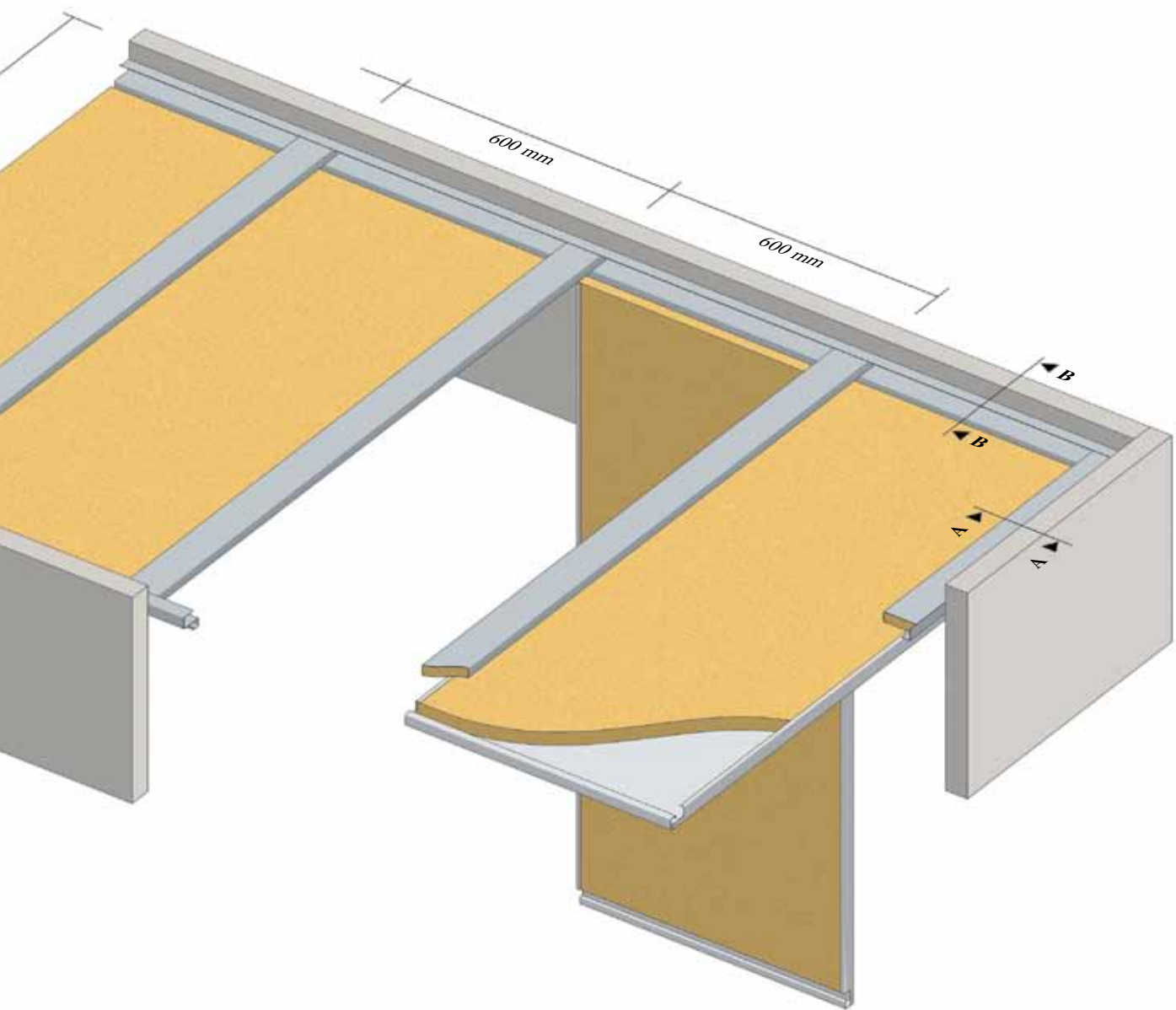
A - A  
Full size start panel



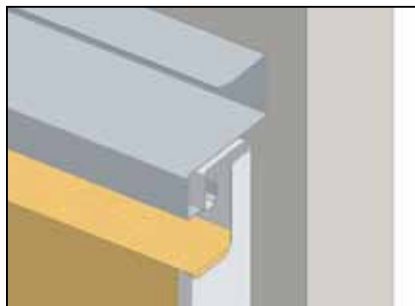
A - A  
Ending with ceiling panel cut to fit



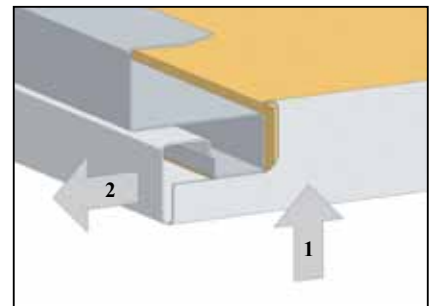
C - C  
Cover profiles to be centered over the pencil line joint



B - B  
Closed 17 mm  $\pm$  5 mm shadow recess  
along the perimeter



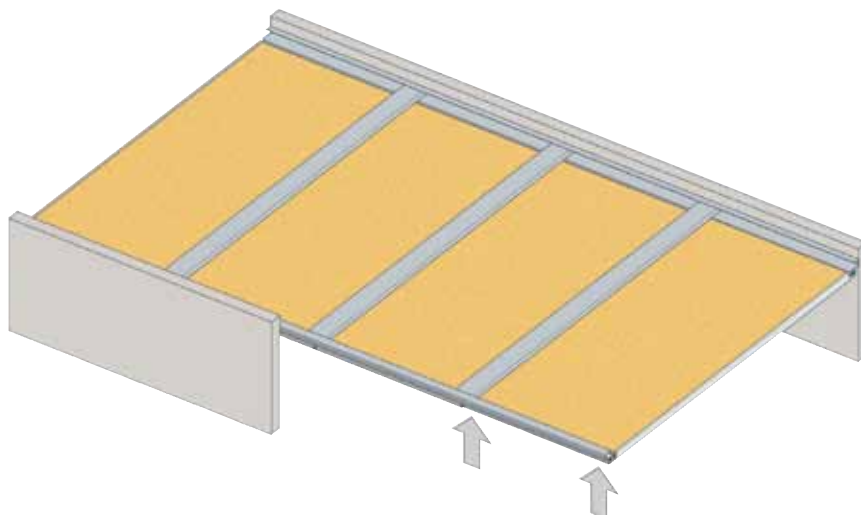
B - B  
Panel hanging in perimeter profile



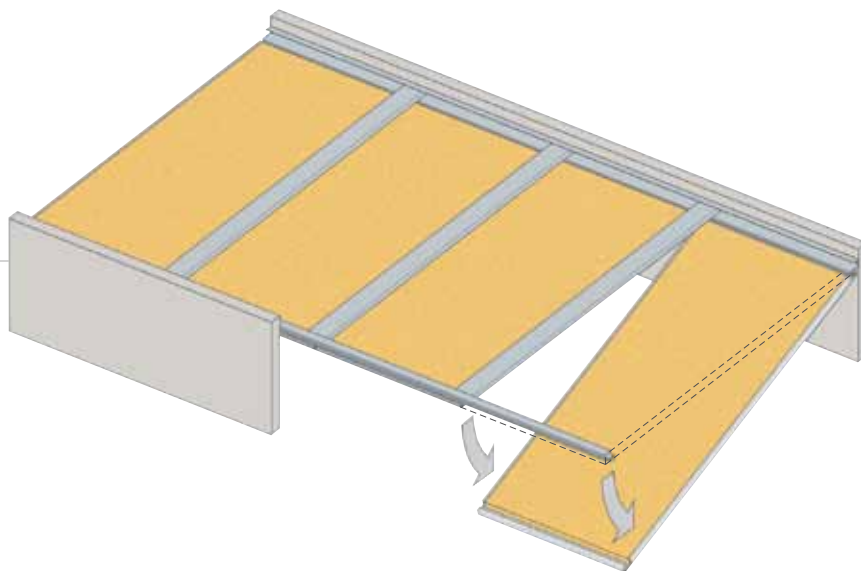
Access to installations above by  
dismantling of full size panels

## Dismantling of DAMPA 600 Hook-On Panels

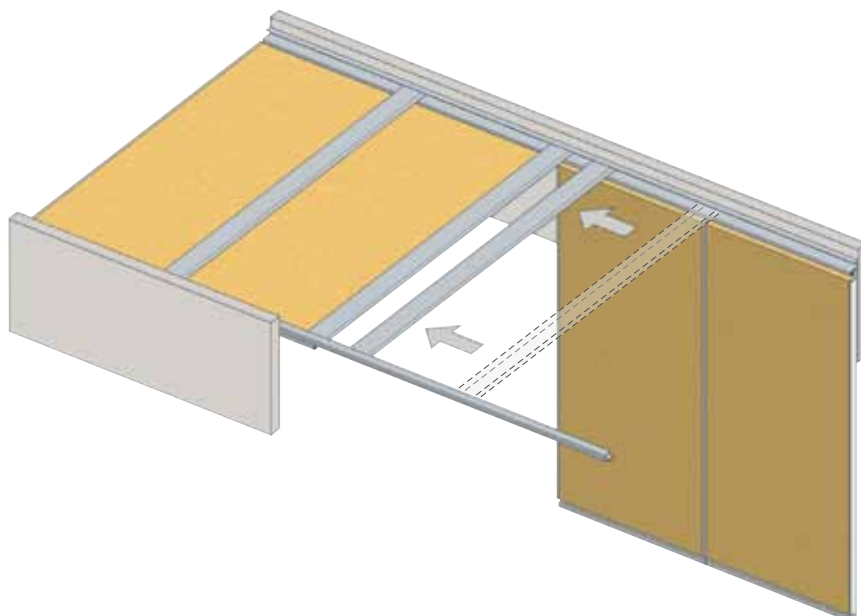
Although this ceiling system is originally designed for large cruise liners and passenger vessels, it is equally suitable for all type of merchant vessels as well as navy and offshore installations, where easy and unlimited access to services above is essential.



All full size panels function as access panels. They can swing down individually anywhere in the ceiling area to obtain free access to the services above without disturbing the fire integrity of the ceiling. No additional insulation is required.

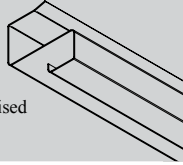


Should larger openings in the ceiling be required more panels can be opened and the cover profiles pushed to the side as illustrated below.

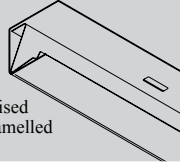


**Angle Runner No. 12**

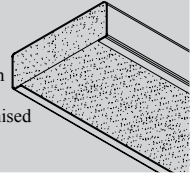
Height : 42 mm  
 Width : 45 mm  
 Length : 4000 mm  
 Weight : 0.75 kg/lin.m  
 Material : 0.6 mm galvanised steel

**Edge Trim No. 26**

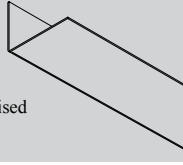
Height : 27 mm  
 Width : 34 mm  
 Length : 4000 mm  
 Weight : 0.80 kg/ lin.m  
 Material : 1.0 mm galvanised steel, stove-enamelled

**Cover Profile No. 12**

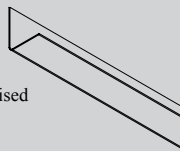
Height : 23 mm  
 Width : 75 mm  
 Length : 800 - 1430 mm  
 Weight : 0.98 kg/lin.m  
 Material : 0.7 mm galvanised steel

**Edge Trim No. 13**

Height : 40 mm  
 Width : 55 mm  
 Length : 4000 mm  
 Weight : 0.80 kg/ lin.m  
 Material : 1.0 mm galvanised steel

**Edge Trim No. 12**

Height : 28 mm  
 Width : 18 mm  
 Length : 1500 mm  
 Weight : 0.318 kg/pcs  
 Material : 0.6 mm galvanised steel



All products are subject to modifications without prior notice



**DAMPA®**

**Marine Ceiling Systems**

DAMPA, DK-5690 Tommerup  
 Phone: +45 63 76 13 20, fax: +45 63 76 13 99, e-mail: [dampa@dampa.dk](mailto:dampa@dampa.dk), [www.dampa.com](http://www.dampa.com)