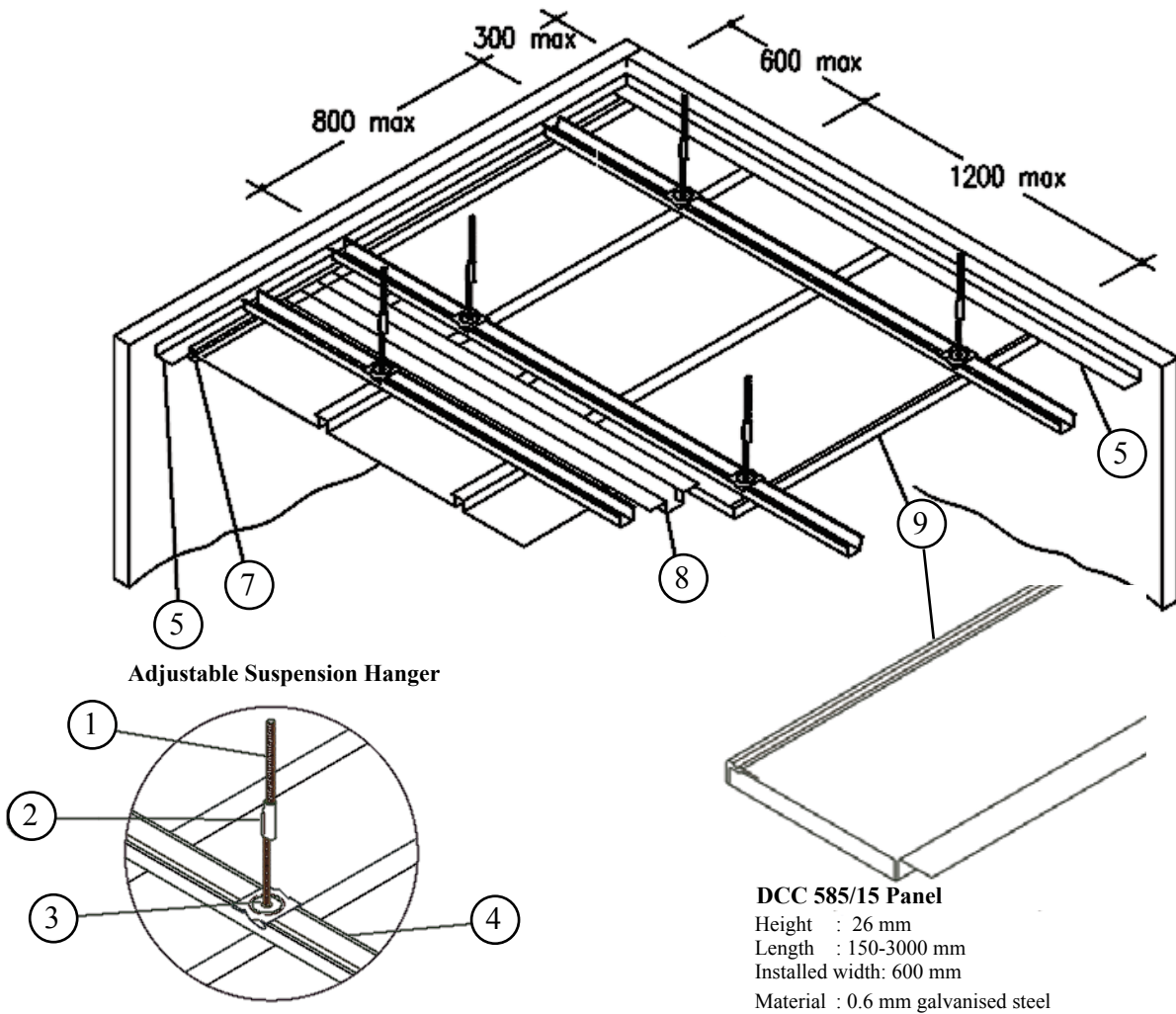


# DAMPA®


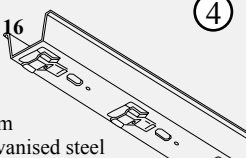


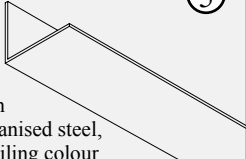
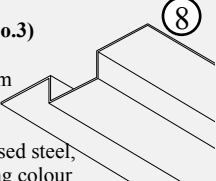
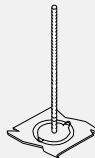

## Marine Ceiling Systems



### Technical Information

## DAMPA DCC 600

### Suspended Marine Ceiling System

<p><b>Threaded Rod M8</b>            Diameter : 8 mm            Length : 200, 300, 400, 500,            600 and 2000 mm            Weight : 0.30 kg/lin.m            Material : Galvanised steel</p> 	<p><b>Modular Carrier No. 16</b>            Height : 27 mm            Width : 51 mm            Length : 4000 mm            Weight : 0.75 kg/lin.m            Material : 1.0 mm galvanised steel</p> 	<p><b>Edge Trim No. 26</b>            Height : 27 mm            Width : 25 mm            Length : 4000 mm            Weight : 0.80 kg/lin.m            Material : 0.6 mm galvanised steel,            painted in ceiling colour</p> 
<p><b>Rod Clip No. 2</b>            Total length : 50 mm            Weight : 0.015 kg/each            Material : Galvanised steel</p> 	<p><b>Edge Trim No. 13</b>            Height : 40 mm            Width : 55 mm            Length : 4000 mm            Weight : 0.80 kg/lin.m            Material : 1.0 mm galvanised steel,            painted in ceiling colour</p> 	<p><b>Joining Panel No. 2 (or No.3)</b>            Height : 29 mm            Width : 55 + 50 + 55 mm            Length : 3000 mm            Weight : 1.05 kg/lin.m            Material : 0.6 mm galvanised steel,            painted in ceiling colour</p> 
<p><b>Suspension No. 1</b>            Total height: 150 mm            Weight : 0.05 kg/each            Material : Galvanised steel</p> 	<p><b>Angle Runner No. 29</b>            Height : 40 mm            Width : 64 mm            Length : 4000 mm            Weight : 1.05 kg/lin.m            Material : 1.0 mm galvanised steel,            painted in ceiling colour</p> 	

## Product description

The DAMPA DCC 600 System is a B-15 Fire Rated, Suspended Marine Ceiling System consisting of linear ceiling panels. Fast and efficient installation is assured, as ceiling panels are supplied 'pre-cut' in accordance with customer drawings and specifications.

By use of only a few basic components a functional and aesthetically pleasing ceiling can be designed to suit all types of areas.

Fast and reliable delivery is a trademark of DAMPA's modern and flexible production facilities.

## Ceiling panels

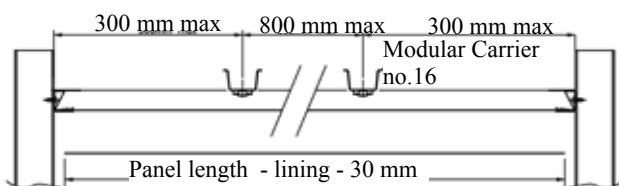
The DCC 600 Ceiling Panels are made from stove-enamelled 0.6 mm galvanised steel respectively.

The panels can be supplied perforated or plain, and in any specified length, from 600 to 3000 mm as standard.

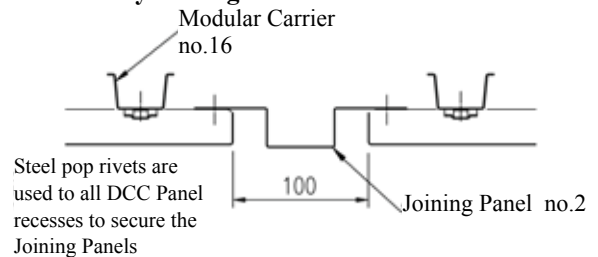
All panels are 26 mm deep and are supplied with end closings as standard.

DAMPA DCC 600 has been tested in accordance with the latest IMO and SOLAS requirements regarding resistance to fire, flame spread and toxicity.

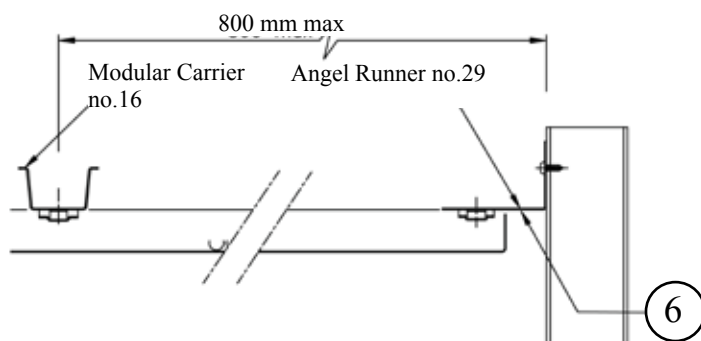
### DCC 585/15 - 600/600 installed by Edgetrim no.26



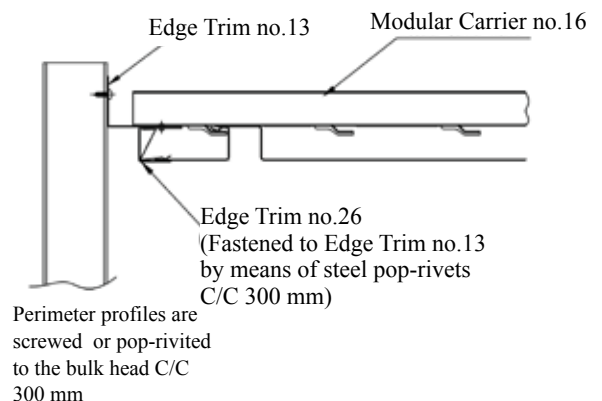
### Installed by Joining Profile no.2



### Installed by Angel Runner no.29



### Installed with Edge Trim no.13



## Colours and Surfaces

The DCC 600 Ceiling Panels are stove-enamelled with non-toxic polyester paint prior to rollforming, resulting in a superior finish and excellent durability.

### Standard Colour White

DAMPA's standard colour is:  
Pure White matt No. 4747-2 similar to RAL 9010

### Brushed Stainless Steel

DCC 600 is available in brushed stainless steel; quality AISI 304, grain size 220, for use in galleys, laundries, etc.

### Special Colours

Almost any colour shade is available on request in the following gloss levels (at 60°), designated by code numbers 1, 2 or 5:

xxx-1, gloss 80 +/- 5

xxx-2, matt 10 +/- 3

xxx-5, anti-reflection/textura 0-7

(developed by DAMPA for wheelhouse ceilings).

Special colour requests will be converted to the nearest NCS (Natural Colour System) colour code.

**DAMPA®**  
Marine Ceiling Systems

DAMPA, DK-5690 Tommerup

Phone: +45 63 76 13 20, fax: +45 63 76 13 99, [dampa@dampa.dk](mailto:dampa@dampa.dk), [www.dampa.dk](http://www.dampa.dk)